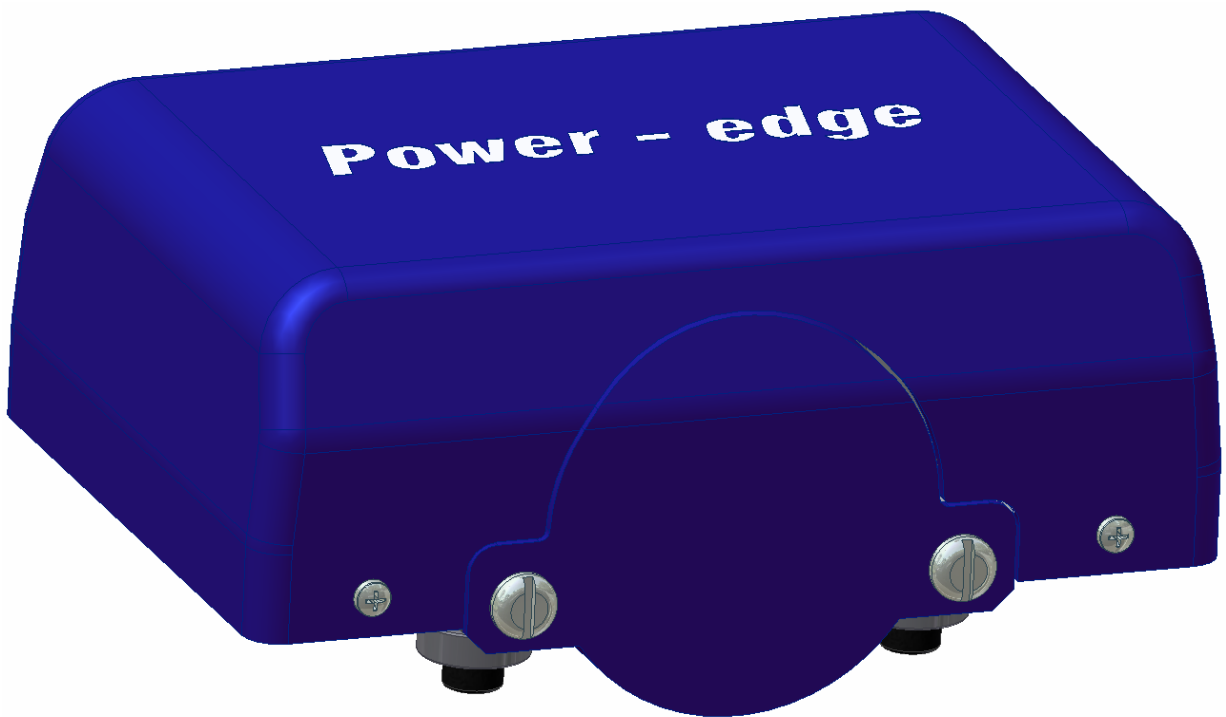



# Manual


# ***Power-edge*** **Accumulator** Rechargeable Battery




## 1 Important information to this Manual

Especially important comments in this manual are marked as follows:

	<b>DANGER</b>	Instantaneous DANGER to body and life. Means very dangerous situation which can lead to death or serious injury
---	---------------	---

	<b>WARNING</b>	Could be a potential damage of the equipment or Injury of the user or operator if instructions have not been followed
---	----------------	---

	<b>CAUTION</b>	Could be a potential damage of the equipment if instructions have not been followed
---	----------------	---


Information: Points to further information, directions or exceptions and more.


**CE The Power edge fulfills CE-regulations (approvals)**

## 2 Chapter index

1	<b>Important information to this manual</b>	2
2	<b>Chapter index</b>	3
3	<b>Warning notices</b>	4
4	<b>Overview</b>	5
5	<b>Operating Elements</b>	5
6	<b>SET UP</b> Connection of the battery recharger to AC Power Connection of the battery recharger to Power-edge	6
7	<b>Using of the Power-edge</b>	7
8	<b>Maintenance</b> Inspection by the user Cleaning of the grinding disc Wheel dressing Replacing the grinding disc General cleaning	9 9 9 10 12
9	<b>Handling-, (Operation) Transport- and Storage condition</b>	12
10	<b>Technical data</b>	12
11	<b>Problems and solutions</b>	13
12	<b>Warranty</b>	13
13	<b>Address</b>	14

### 3 Warning notices

	<b>WARNING</b>
<ul style="list-style-type: none"><li>• Only use the Power-edge, if you are fully aware of the risks and personally ready to take responsibility for yourself.</li><li>• The user is fully responsible for the usage of Power edge. Therefore the manufacturer disclaims all responsibility</li><li>• Faulty usage of the power edge can damage the edges</li><li>• Only use the Power-edge after carefully reading and understanding this manual</li><li>• Always carry this manual and read and reread this manual regularly before usage</li><li>• Never touch the grinding disc directly before or during the usage of the power edge</li><li>• Never grind without the grinding disc cover</li><li>• Make sure no loose clothing can get caught in the running grind disc</li><li>• Always wear protection glasses and a dust respirator during the grinding process, while cleaning or during wheel dressing</li><li>• Only use the power – edge in dry rooms</li><li>• Always check before using if the grinding disc is tightened.</li><li>• Please note that the Power-edge is a Semi-professional device and was designed for a capacity of 30 minutes-grinding time per mission. <b>“Overheating”</b></li><li>• Carry out Maintenance and inspections of the Power edge on a regular basis. See Page 9</li><li>• Remove possible blistering grinding parts under the cover after a long grinding usage. <b>“Fire hazard”</b></li></ul>	

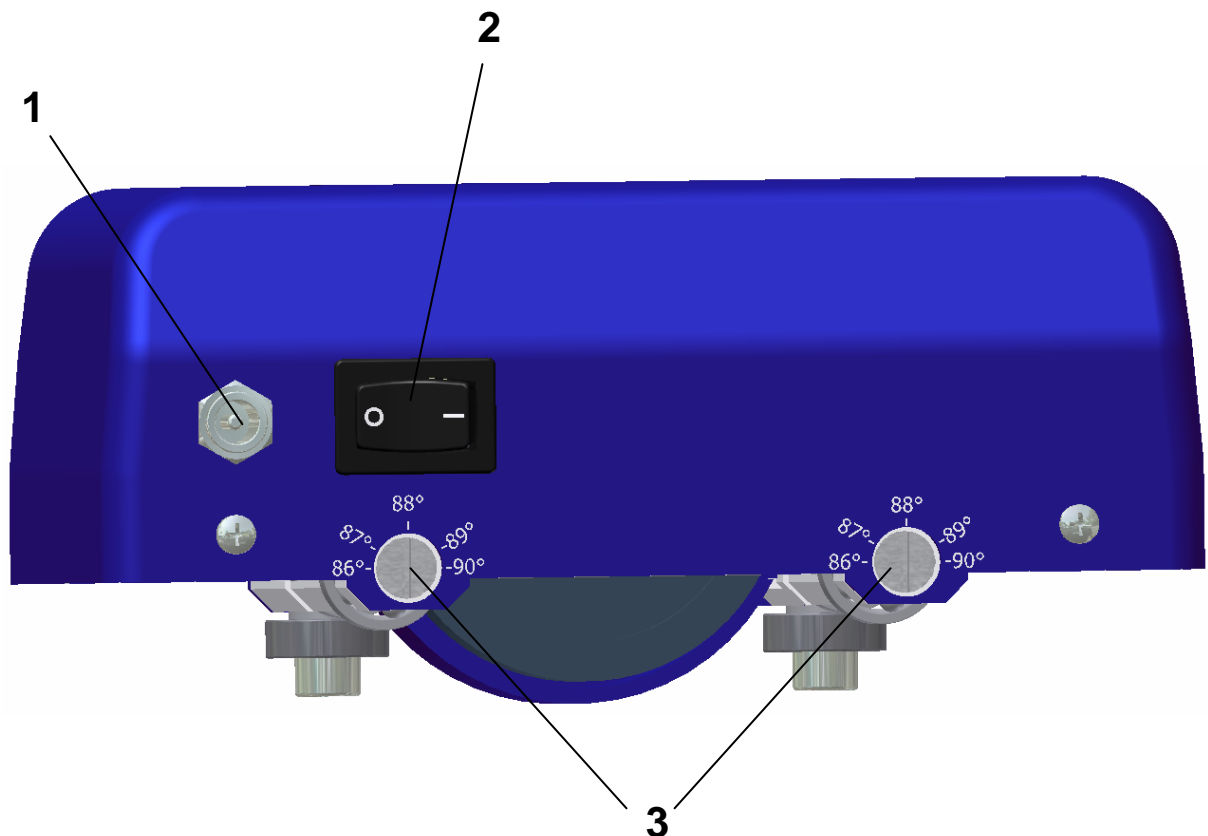
	<b>DANGER</b>	Electric shock possible. With Improper handling of the battery charger or cut through cables
---	---------------	--

#### 4 Overview

With the Power – edge you can grind soft or hardened Ski- and Snowboard edges at an angle from 86° - 90°. The DC motor guarantees a powerful drive and a long life.

With little effort can you grind Skis and Snowboards at highest precision. The grinding disc adjusts to different angles of Skis and Snowboards, has a long durability and guarantees a high repeat accuracy at optimum heat reduction (no annulments of the edges)

#### 5 Operating Elements



- 1 Input jack for the Battery Recharger plug.
- 2 On/Off – switch turns the machine on and off.
- 3 With the Angle adjustment bolt you can turn the angle from 86°-90° with a screwdriver.

## 6 SET UP

**Connections of the Charger to the socket** Connect the plug of the charger (at the primary end) to the 220/110 Volt socket.

**Connections of the Charger to the Power Edge** Connect the connector Plug of the Charger (secondary end) to the socket 1 of the Power – edge Recharging time 3-4 hours. After the recharging is finished. Then the charger goes to impulse-conservation charge (see “Ansmann” Manual of the charger).



## 7 Using of the Power – edge

**Preparation of Ski and Snowboard** Make sure the side cheek, where the edges meet the plastic doesn't overlap. If necessary, the side cheeks have to be cut off with a body file. The grinding disc could block up because of the overlapping plastic.

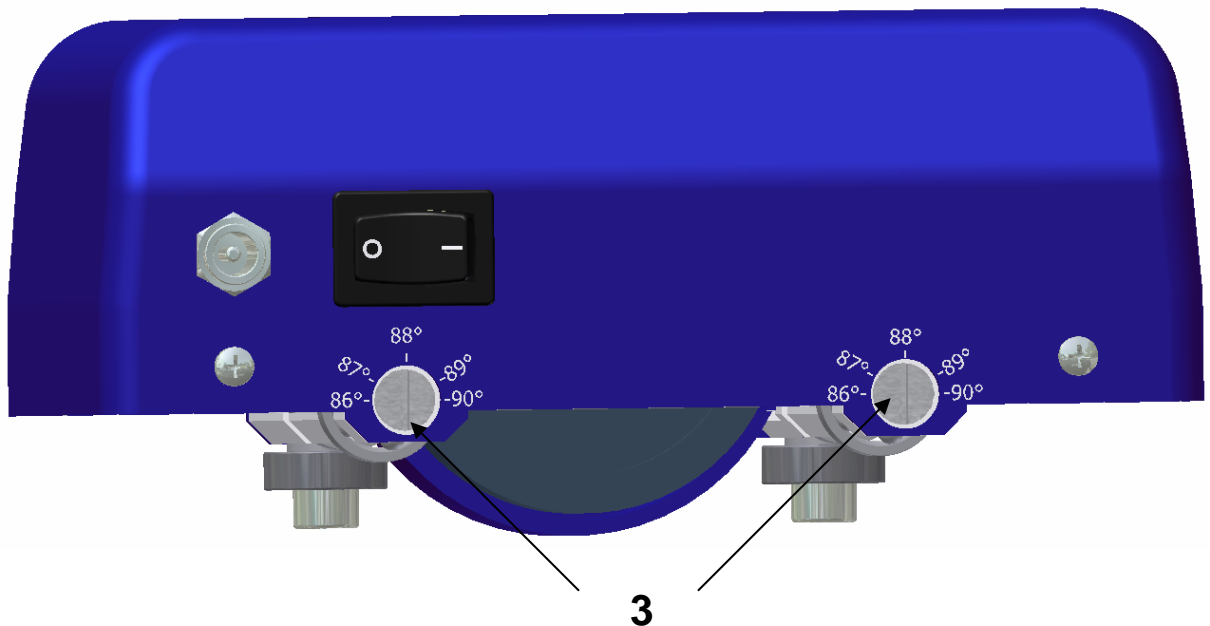


### **Danger**

During the grinding operation emerges dangerous dust. You have to wear a dust respirator and protection glasses at all time!

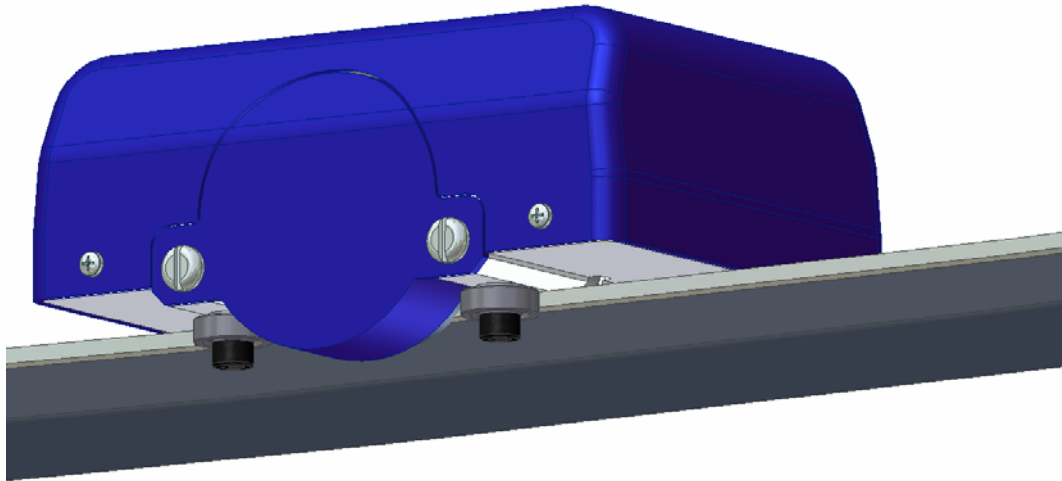
**Instruction** It makes the grinding easier, if you use the appropriate standard Ski- or Snowboard holder

**Adjust the angle On the Power-Edge** Turn both Angle-adjustment bolts 3 with a screwdriver anti-clockwise to the desired adjustment (normally 88°) Make sure both adjustments are the same



### **Attach the device**

Attach the Power – edge (without switching it on) with the guide rolls to the sliding surface of the Ski or Snowboard, without the grinding disc touching the edges. Make sure there are no hindrances during the ongoing grinding procedure (Ski Stops). Also make sure there are no flammable materials nearby (wax remover) (spark jump)

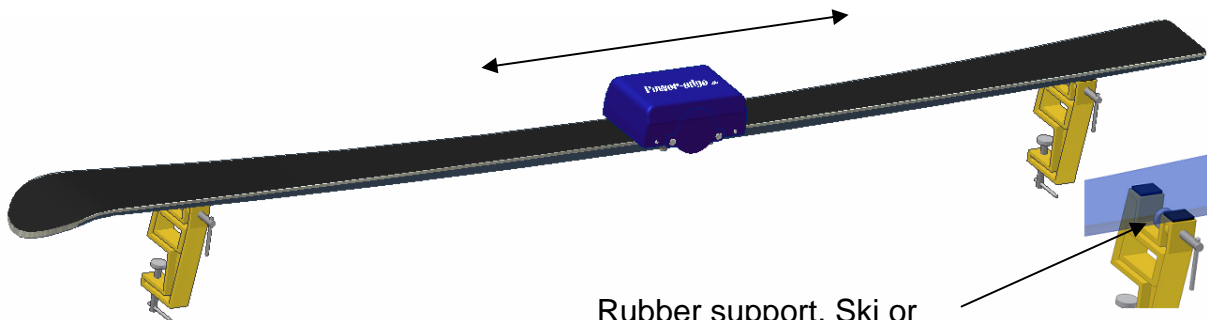


**Switch on and grind**


Switch on the Power – edge. Then push the device to the edges. As the grinding disc touches the ski edge, guide the Power-edge lengthwise along the edges from one end to the other. Make sure you use a steady speed and not too fast.

**Information:**

Repeat the procedure, depending on how much the edges need grinding, usually 1-3 times and check the edges again and again, until they are sufficiently cut. Angle corrections for instance from 90° to 88° need more grinding time. Therefore it is advisable to use the same angle time after time or only small corrections with 1°



Rubber support, Ski or Snowboard must not be clamped

	<p><b>WARNING</b> Please keep in mind that the edges are very sharp after grinding and you can hurt yourself and others.</p>
---	--

## 8 Maintenance

### Inspection by the User


Before each usage the Power edge must be checked. If you Assume a malfunction of the Power – edge send it back to the manufacturer for a check-up and/or repair. Necessary repairs should be conducted only by the manufacturer. Faulty components, which can cause safety defects on the Power-Edge must be replaced only with original parts

### Cleaning the Grinding disc

Clean the grinding disc with a wire brush in switched-on condition, by touching the plane surface in short intervals. **(wear protecting glasses and a dust respirator at all time)**

### Wheel dressing

Should the plane surface not be plane or damaged, you can wheel dress the plane surface with a dressing stick or dressing diamond. **(wear protecting glasses and a dust respirator at all time)**

	<p><b>ATTENTION</b></p>	<ul style="list-style-type: none"> <li>• Do not use damaged or faulty Power – edge.</li> <li>• Do not use faulty or foreign components grinding disc.</li> <li>• Do not open Power-edge. There are no parts inside the device that need maintenance.</li> <li>• Do not use strange rechargers.</li> </ul>
--	-------------------------	---

Interval	Range
Before each usage	<ul style="list-style-type: none"> <li>• Watch for signs of abrasion and damage to the grinding disc.</li> <li>• Check all cables for damage, breakage and incisions</li> <li>• Make sure, that nobody can be injured by the Power – edge.</li> </ul>
After the usage	<ul style="list-style-type: none"> <li>• Clean the device off with a cloth or brush from afflicted grinding dust</li> <li>• Let the device cool off after a long usage, before packing it in the case <b>“Heat accumulation”</b></li> <li>• Remove possible blistering grinding parts under the cover after a long grinding usage. <b>“Fire hazard”</b></li> </ul>

**Replacing or turn over the Grinding disc**

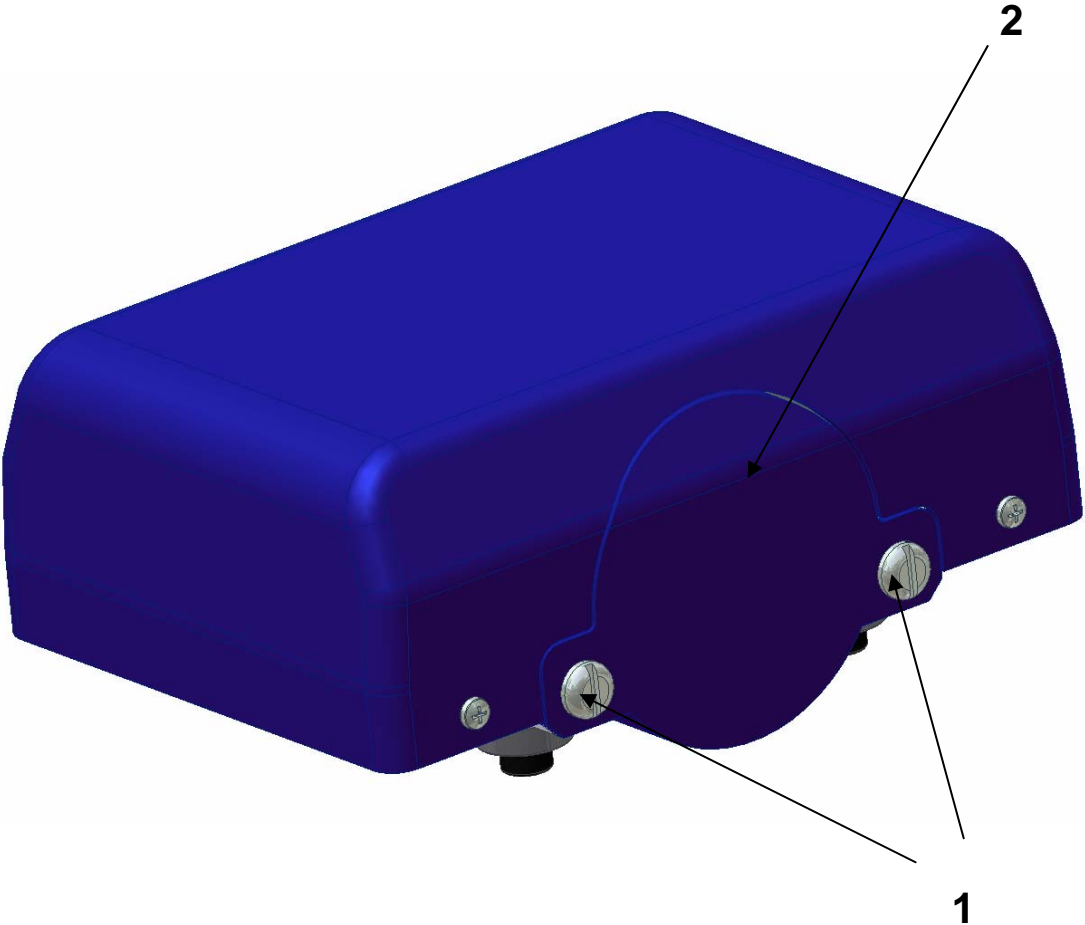
The grinding disc can be turned over or exchanged when it's worn out.

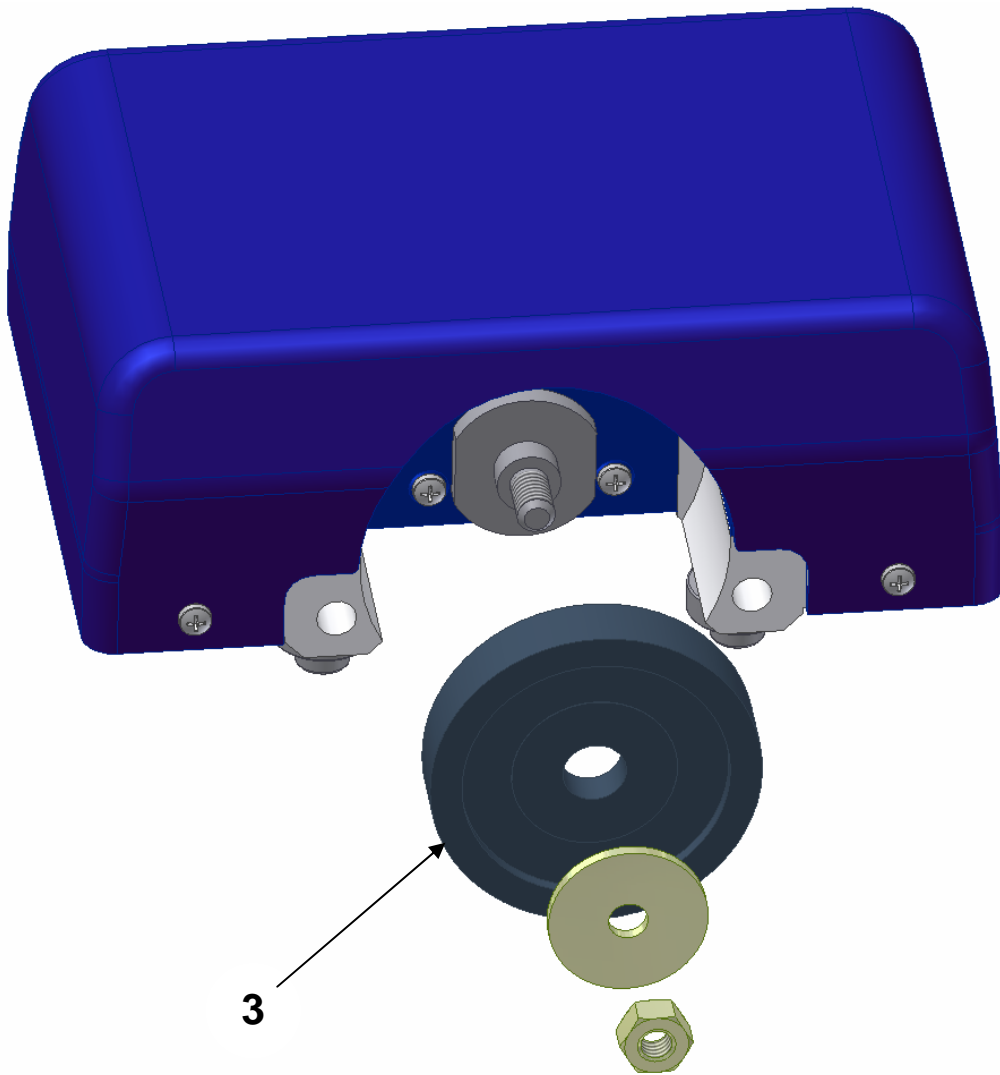
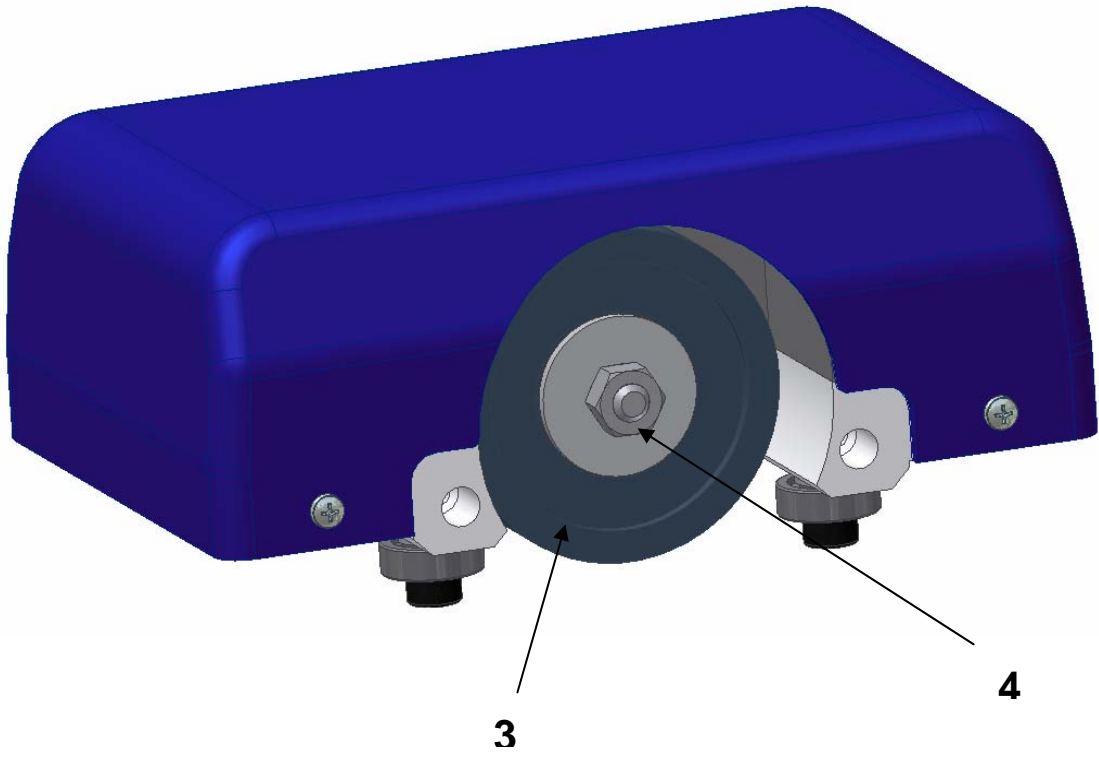
Loosen the screws 1 of the cover 2 and remove the cover.

With your thumb and forefinger you hold the grinding disc 3 and loosen the nut 4 with a size 10 flat spanner.

Pull the grinding disc 3 off the shaft and turn it over or exchange the grinding disc.

In re-mounting the grinding disc you do it the other way around. Please note, that when tightening the grinding disc you hold the nut by hand and tighten lightly with a size 10 flat spanner. The turning direction is chosen, so that the grinding disc cannot loosen during grinding.

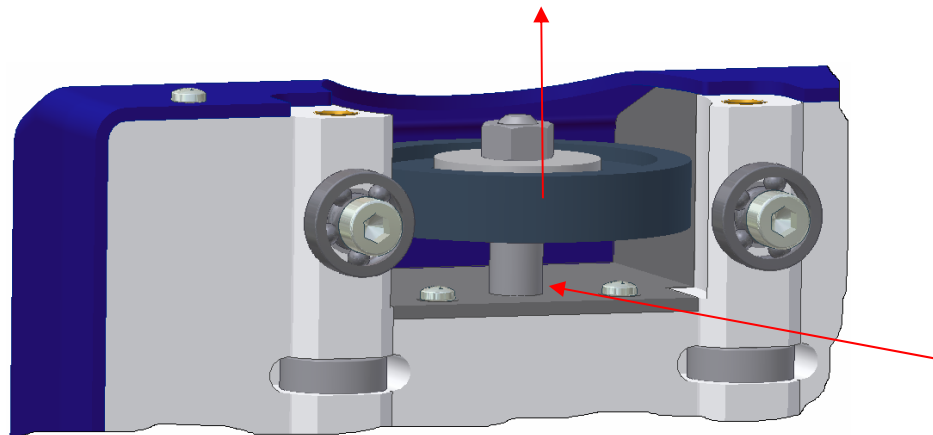




**General cleaning** Clean Plastic surface only with soap and water (no running water, just a damp cloth)  
If you use other cleaning material (for instance alcohol) the material can get dull or chapped. Never use acid dissolving cleaning material, cleaning powder or polishing material. Don't use air from the compressor to clean the power edge.

**Cleaning and lubricating of the shaft** The shaft must be cleaned and lubricated periodically .  
First you remove the cover of the grinding disc, then you pull the grinding disc by hand and in turned off condition out according to the arrow.

**Information** Hold the grinding disc and clean the shaft with a brush. After cleaning you must lubricate or grease the shaft.  
Never clean the Power – edge with compressed air.



## 9 Handling-, Transport and Storage condition

Protect the Power – edge from impact and intensive sun- and heat exposure.

Protect the Power – edge from dampness

Make sure the Power edge doesn't fall off during handling. A hard crash can damage the electronic components and the case

Do not put heavy articles on the Power – edge

Operating temperature – 10°C to 50°C (14°F to 122°F)

Storage temperature – 20°C to 50°C (14°F to 122°F)

## 10 Technical Data

Measurements:	Length x Width x Hight) about 144x102x70mm
Power supply	AC 100 – 240 V / 50-60Hz
Charger	DC 9,6V / 2000 mAh
Rechargeable battery	Accu NiMH: Suspense DC 9.6V/capacity 2000 mAh
Number of revolutions	9000 U/min (rpm)

## 11 Problems and Solutions

Problems	Solutions
<b>The edge is only little grinded off per work process</b>	The grinding disc pores are blocked. When grinding, too much plastic was grinded off on the side. Clean pores with wire brush or dressing stone during usage.
<b>The grinding disc strikes during grinding</b>	Wheel dress the grinding disc with a dressing stone or dressing diamond.

## 12 Warranty

The manufacturer assumes liability for this product and assures faultless condition for the time of one year after purchase of the product. This guarantee is only valid, when the Power edge is sent in together with the original receipt . The Guarantee contains free repair of the power edge.

Excluded from the Guarantee is

1. Battery Package
2. Regular inspection, Maintenance and Repair or exchange of normal wear- and tear parts
3. Transport risks- and cost, which stand directly or indirectly in connection with this guarantee
4. Damage to the Power – edge, which were caused by:  
Abuse or wrong usage of the Power – edge, mainly when used otherwise than described in this manual.  
Non-observance of the manual- and/or Maintenance directions  
Professional use (see page 4)  
Repairs can only be administrated by the manufacturer  
Accidents or Environmental factors, which are passed the control of the manufacturer, such as damages due to flooding, fire, interference, and acidic cleaning material

This guarantee corresponds only to parts and machines which are handled by the manufacturer. This guarantee does not constrict the national law for the customer. If the national law doesn't say anything else, the customer has the right to this guarantee, but the manufacturer takes over no guarantee or responsibility for direct or indirect damage or loss, which are connected to the usage of the Power – edge.

### 13 Address

Manufacturing

Power Edge  
Tannliweg 415  
5112 Thalheim  
Switzerland

Email: [technik@power-edge.ch](mailto:technik@power-edge.ch)

Sales Europe

Email: [info@power-edge.ch](mailto:info@power-edge.ch)

Homepage

[www.power-edge.ch](http://www.power-edge.ch)

Sales US

[www.SkiEdgeTuner.com](http://www.SkiEdgeTuner.com)

Homepage

[www.SkiEdgeTurner.com](http://www.SkiEdgeTurner.com)